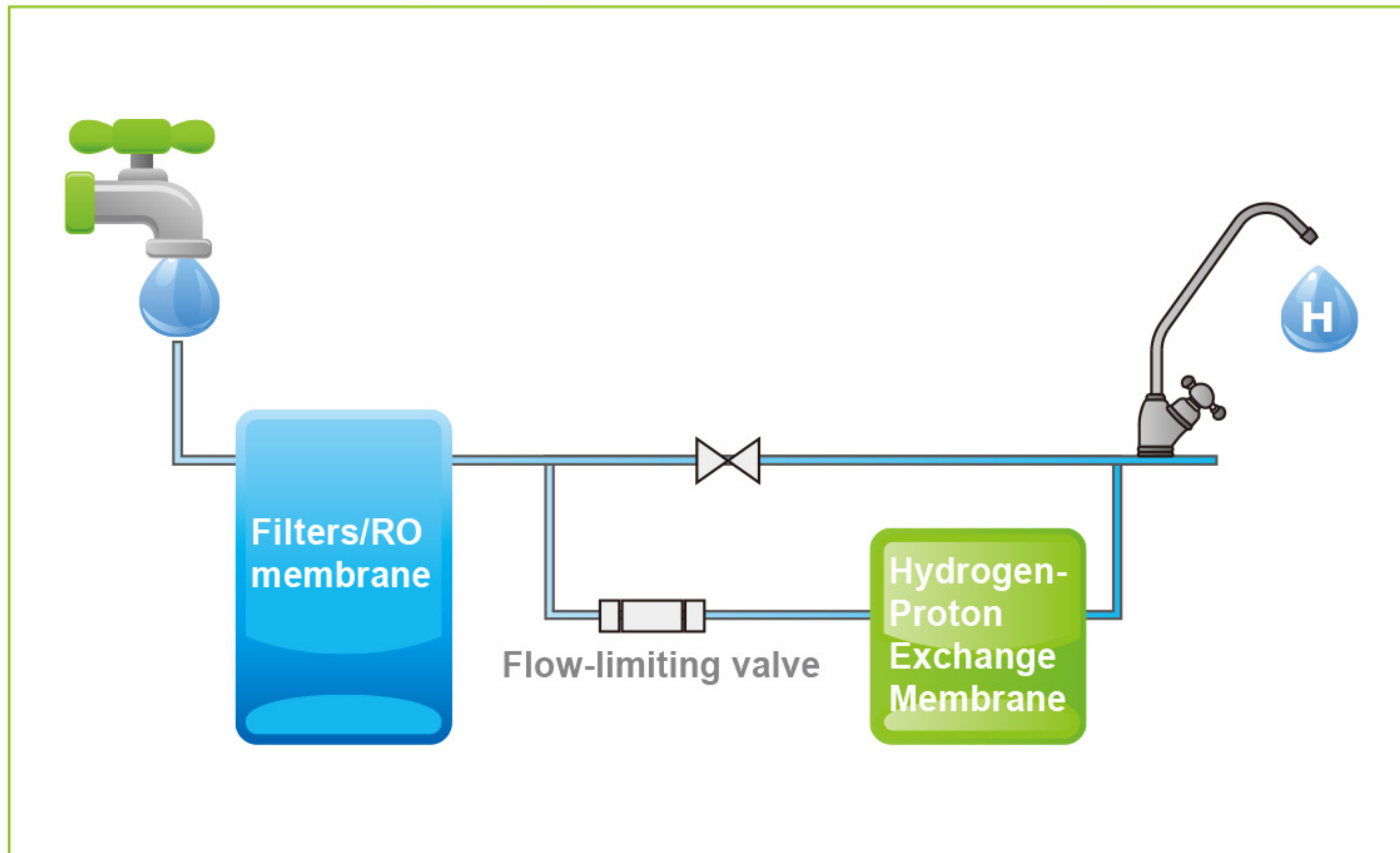


The advantage of generating hydrogen

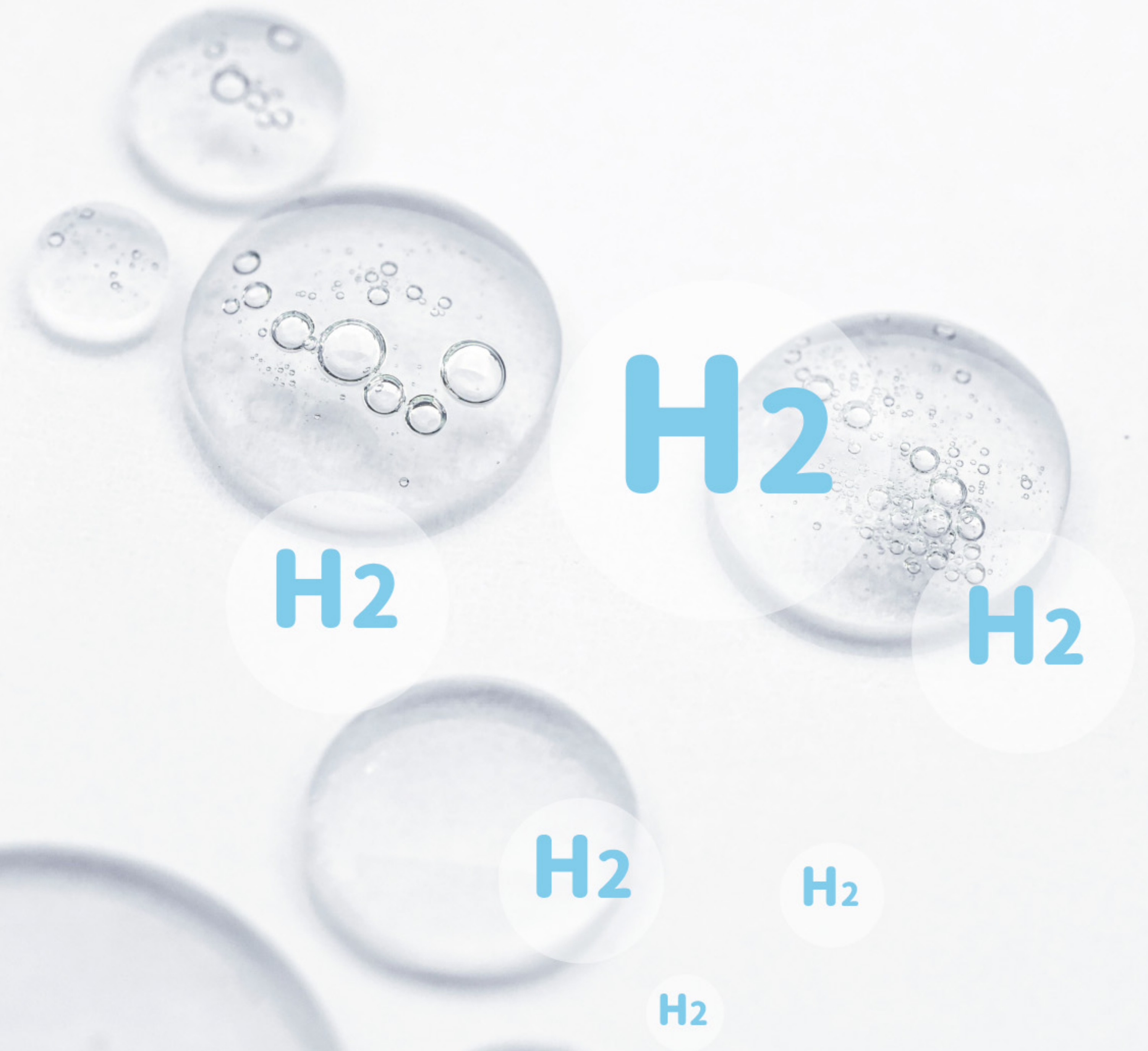
- Platinum catalyst proton exchange membrane hydrogen production technology.
- Patent design for proton exchange technology; Producing pure hydrogen water and dissolving into water.
- Good tastes without bad smells.
- Power saving , low consumption of electricity
- No need to clean electrodes and no acid water production
- No change on PH value and water quality
- Large quantity of hydrogen retained in the water can be reached more than 1,000ppb; Oxidation-Reduction Potential (ORP) > -500

Illustration- Hydrogen- Proton Exchange Membrane



Hydrogen Water

Hydrogen is a good anti-oxidant substance and is necessary for supporting human life.



Puretron[®]

TRIWIN WATERTEC CO.,LTD.

NO.3, Lane 45, Section 3, Dafu Rd., Tanzih District, Taichung City 427, Taiwan (R.O.C)

Tel:886-4-25311188 Fax:886-4-25310606 E-mail:sales@triwin.com.tw

<http://www.triwin.com.tw> <http://www.triwin.us>

Copyright © 2017/05

Puretron[®]

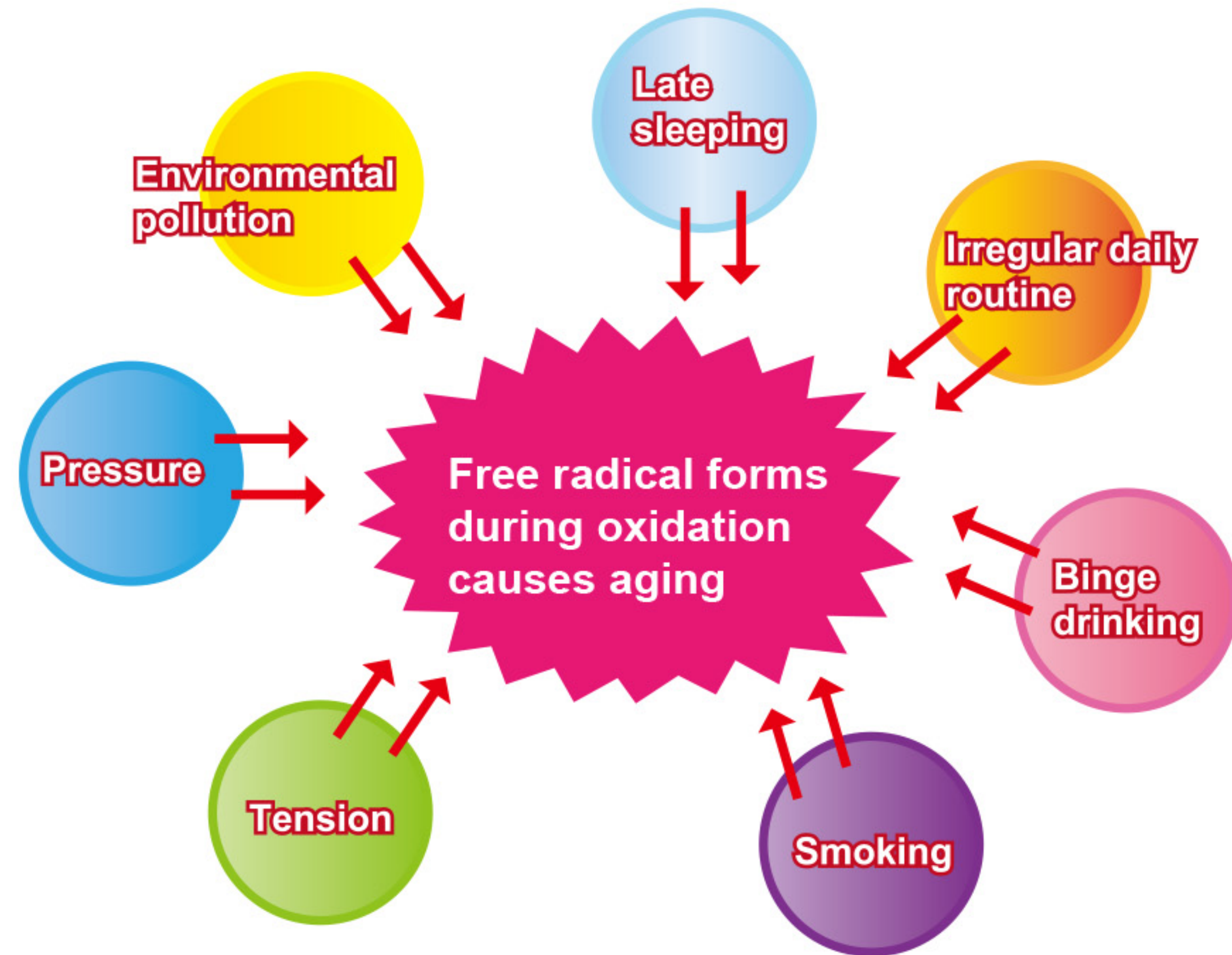
Free radical

- Process of oxidation may cause damage in human body. Anti-oxidative action is the way to reduce free radical damage.

What is free radical?

- Free radical is an atom, molecule, or ion that has unpaired valence electrons, they may be created in any parts of human body. These unpaired electrons makes it rather reactive and unstable, and they are able to rob other electrons, making themselves become paired (stable) electrons. Those substances that get robbed of their electrons may becomes unstable, and will probably rob other electrons. Thus starting a chain reaction, causing damages, and which is a common pathway for, aging, and a variety of diseases. The leading top 10 cause of death is known as cancer, which is mostly cased by free radical.

About Hydrogen-Free radical is the source of all diseases.



Hydrogen water

When ORP water passes through cells, the hydrogen from water will permeate into cells to eliminate excessive free radical. This is the principle of drinking hydrogen water, a kind of chemical reduction, but not the effect of therapeutic agent. Hydrogen is a reducing agent in the process, not a therapeutic agent. As excessive free radicals are reduced by hydrogen to water, the aging process and diseases caused by excessive free radical can be retarded by reduction.

Hydrogen Water



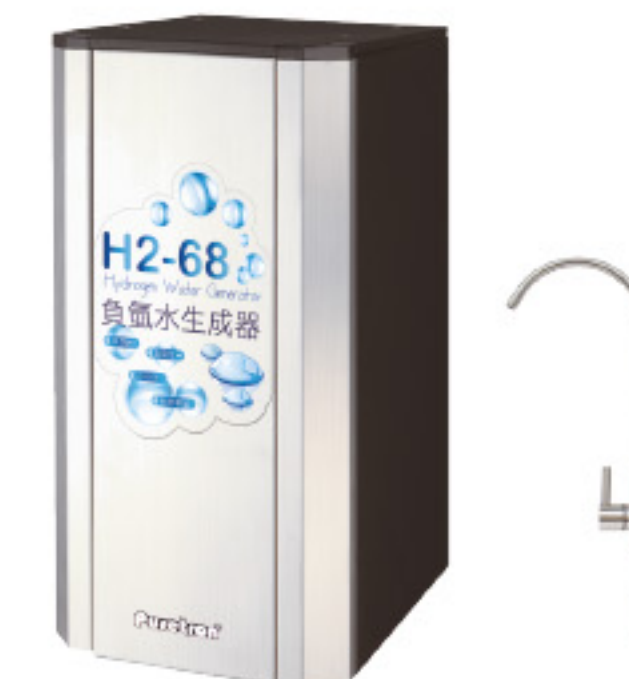
SKGA Specification: Counter Top (w/ RO system)

Type	Touch Panel Screen
Water Supply	Hydrogen Water
Voltage	AC110~240V
Power	45W(+5%/-10%)
Operating temperature	5~40 °C
Unit Size	D540 x W260 x H470mm



AQ-1200 Specification: Counter Top (w/ RO system)

Type	Touch Panel Screen
Water Supply	Hydrogen Water
Voltage	AC110~240V
Power	45W(+5%/-10%)
Operating temperature	5~40 °C
Unit Size	W360 x D404 x H460mm



H2-68 Specification: Under Sink (w/o RO system)

Type	Faucet Type
Water Supply	Hydrogen Water
Voltage	AC110~240V
Power	20W(+5%/-10%)
Operating temperature	5~40 °C
Unit Size	W200 x D200 x H360mm

* Need RO System / Filtration System in front of H2-68 model.