

Built-in Closet Water Dispenser



Puretron

Wall mounted/Built-in Closet water dispenser

TR-6

Made In Taiwan Patents **M609718**



Puretron
www.triwinwater.com

www.puretron.com.tw

TR-6 New advanced drinking style

Combine cabinet aesthetics Wall mounted/Built-in Closet water dispenser

- Perfectly integrated with home design, drinking water can also be stylish.



Child safety lock design

- The hot water device has a locking function to prevent accidental touch, it is fully automatic and safe to lock, preventing accidental injuries of children and the elderly.

Cartridges replacement at a glance

- Cartridges life-span replacement reminder.
- Heat exchange function, will not drink raw water.



Full glass touch panel

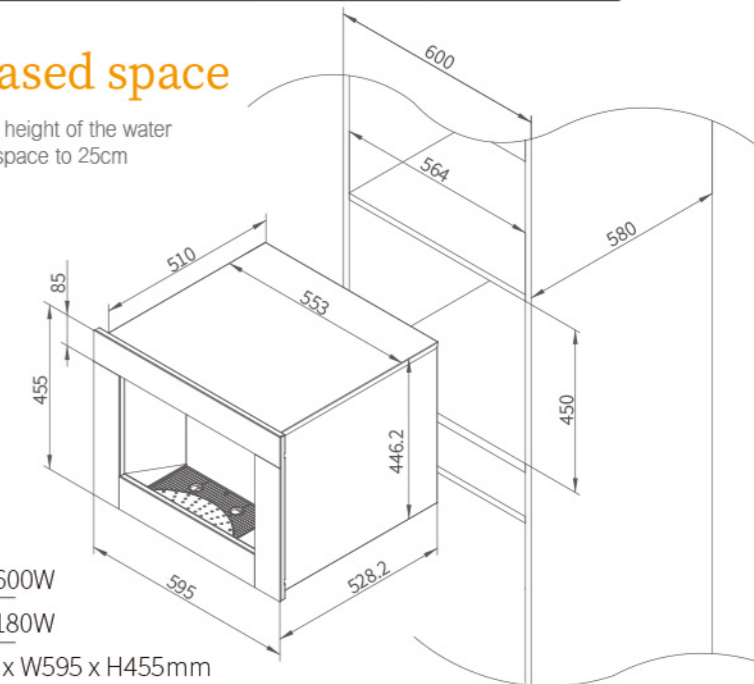
- European fashion aesthetics

Increased space

- Increase the height of the water dispensing space to 25cm

Comply with multiple Taiwan's inspection standards

- Standby Energy Saving Mode
- Water quality standard



SPECIFICATION

Temperature : chilled & Hot & Ambient Water	Hot water power : 600W
Hot water capacity : 3.2L	Cold water power : 180W
Cold water capacity : 1.8L	Dimension : D528.2 x W595 x H455mm
Ambient water capacity : 2.3L	RO System : With 5 stage RO or filter system
Pressure : electric pressure 220V, please use single power supply	
Safety device : all series has circuit breaker and a safety fuse	

Fashion night light

- LED water outlet lighting, with perfect guiding lighting, clearly shows the water intake level.



Chilled&Ambient&Hot to meet the needs at one time

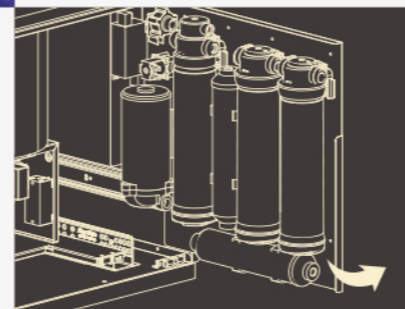
- Chilled&Ambient&Hot, three water temps. for making coffee and tea flexibly

Multiple safety devices

- Water leakage detection, leakage protection, and multiple anti-empty burning devices keep you safe and secure!

Patented slide rail design, easy to install and maintain

- Convenient to replace the cartridges
- Module kit structure design



Puretron®

Wall Mounted / Built In closet Water Dispenser

TR-6

M609718

MADE IN TAIWAN PATENTED

Glass Panel Elegant Design!

Touch Panel



Feature:

- Simple install, Easy maintain.
- **HOT, CHILLED, AMBIENT**, Fulfill customer request.
- Perfect Exchange System design, all drinking water boiled.
- 25cm height water outlet enough for big water cup
- Filter change reminder
- Energy saving when stand by
- Anti-leak, Leakage circuit, Ensure your safety.

Boil consumption: 600W

Hot Tank: 3.2L

Chilled consumption: 180W

Chilled Tank: 1.8L

RO water system built.

Ambient Tank: 2.3L

Voltage: 110V or 220V

Size: D528xW595xH455mm

Safety Equipment: Leakage circuit, Over load fuse, Anti-leak device

www.triwinwater.com
www.puretron.com.tw

